

FIND NO.	DRAWING NO.	DESCRIPTION	TYPE	FIND NO.	DRAWING NO.	DESCRIPTION	TYPE
1	MP00193	FIELD MAINTENANCE PRINT SET (MP)	-				
	B-TC-ADV11-A-1	FIELD MAINTENANCE PRINT SET (TC)	-				
	A-PL-ADV11-A-0	A/D FOR 1103	E/M				
	A-PL-ADV11-A-SL	SHIP LIST ADV11-A	E/M				
	A-SP-ADV11-A-2	ENGINEERING SPEC	E/M				
	A-SP-ADV11-A-3	INSTALLATION & ACCEPTANCE PROCEDURE	E/M				
	A-SP-2700064-C2	INSTALLATION INSTRUCTIONS	M				
2	B-DD-A012-0	A/D FOR 1103	E				
3	B-DD-7607440-0	CHECK TESTER (REF ONLY)	E/M				
	B-DD-7607441-0	BURN 1 TESTER (REF ONLY)	E/M				
	B-DD-7607442-0	BURN 2 TESTER (REF ONLY)	E/M				
4	EK-ADV11-OP-001	ADV11-A, KW11-A, AA11-A, DRV11 USER'S MANUAL	E/M				

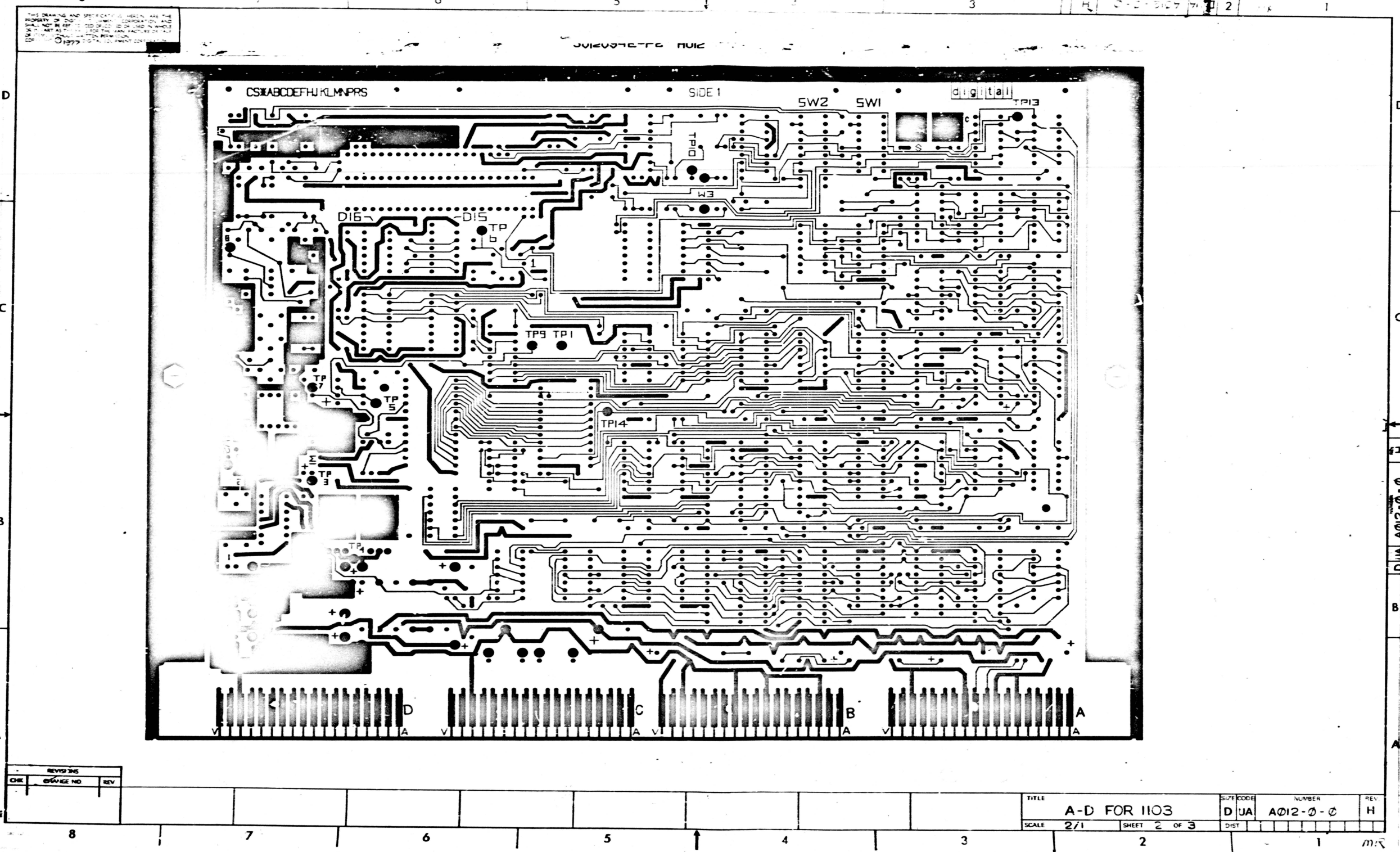
TYPE: E ELECTRICAL
M MECHANICAL
E/M ELECTRO/MECHANICAL

digital

TITLE: A/D FOR 1103
SIZE CODE: 8 DD
NUMBER: ADV11-A
REV: SHEET 2 OF 2

DRB 108A

THIS DRAWING AND SPECIFICATION HEREIN ARE THE PROPERTY OF THE UNITED STATES GOVERNMENT AND SHALL REMAIN THEREIN. IT IS TO BE USED IN WHOLE OR IN PART AS AUTHORIZED BY THE MANUFACTURER OF THE EQUIPMENT DESCRIBED HEREIN.



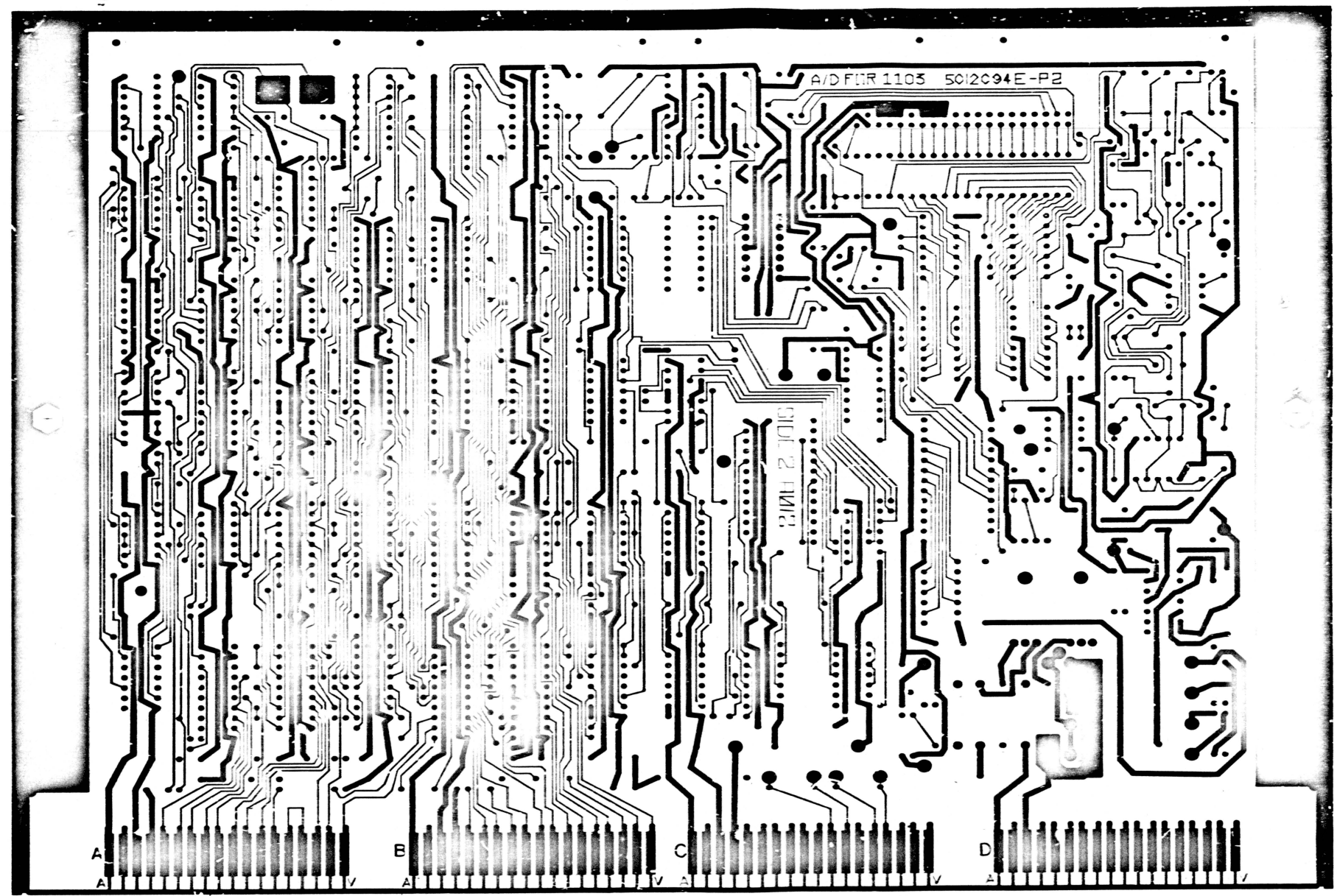
REVISIONS		
CHK	CHANGE NO	REV

TITLE		SIZE CODE		NUMBER		REV
A-D FOR 1103		D JA		A012-0-0		H
SCALE	2/1	SHEET	2	OF	3	DIST

DIA A012-0-0

THIS DRAWING AND SPECIFICATIONS HEREIN ARE THE PROPERTY OF THE UNITED STATES GOVERNMENT AND SHALL NOT BE REPRODUCED OR TRANSMITTED IN ANY FORM OR BY ANY MEANS, ELECTRONIC OR MECHANICAL, INCLUDING PHOTOCOPYING, RECORDING, OR BY ANY INFORMATION STORAGE AND RETRIEVAL SYSTEM, WITHOUT PERMISSION IN WRITING FROM THE UNITED STATES GOVERNMENT.

H. 212-0-0 701 2



REVISIONS		
CHK	CHANGE NO	REV

TITLE	A-D FOR 1103	SIZE CODE	D UA	NUMBER	A212-0-0	REV	H
SCALE	2/1	SHEET	3 OF 3	DIST			

DIA A212-0-0 H

MR

APPROVED BY: PRINCE 2E(2)

PARTS LIST

SHEET 1 OF 3

LINE	ITEM	DOCUMENT NO.	PART NO.	DESCRIPTION	QTY	REFERENCE DESIGNATORS
1	1	D-BA-5812094-0-0	5812094-00	3912	1	
2	2		1810273-00	.22 VFD 5VX 128 30023 CEF	15	C1-C35,C41,C43,C44,C61-C63, C68,C69,C70,C74
3	3		1004812-00	15 VFD 20V 128 1500 S.T4	CONT	C38,C39,C42,C45,C52,C53
4	4		1005306-00	6.4VFD 25V 128 1500 S.T4	1	C72
5	5		1005335-00	39 VFD 20V 128 1500 S.T4	4	C16,C47,C48,C73
6	6		1002133-00	22 VFD 35V 208 1500 S.T4	3	C49-C51
7	7		1000021-00	470.0 MFD 100V 5% 200PPM DM155	1	C54
8	8		1000027-00	820.0 MFD 100V 5% 200PPM DM155	1	C45
9	9		1000020-00	180.0 MFD 100V 5% 200PPM DM155	1	C57
10	10		1000021-00	220.0 MFD 100V 5% 200PPM DM155	3	C58,C59,C55
11	11		1001776-00	1 VFD 25V 128 1500 S.T4	1	C62
12	12		1005620-00	22.0 MFD 100V 5% 200PPM DM155	1	C66
13	13		1009939-01	.0022 VFD 120V 128 440000VSR	1	C67
14	14		1010031-03	.22 VFD 5VX 128 30023 CEF	1	C71
15	15		1022254-00	22.0 MFD 100V 5% 200PPM DM155	1	C68
16	16		1105275-00	D 672 TR= 15MS PIV= 60V SP	22	D1-D4,D6,D7,D21,D18,D20, D23-D32,D34,D35,D37
17	17		1110232-00	MCL1304 CL44XA FROM 100-80V	2	D10,D33
18	18		1302685-00	909 1/4W 1% RES50-F 100PPM	1	R7
19	19		1109991-00	1P 7544 VZ= 6.2 5% .42W	1	E14
20	20		1310210-00	1FC 25V 16 DIODE ARRAY,C04E DWR VP5M	2	F15,F16
21	21		1109502-00	1A 4742 VZ= 12.0 1% 1A Y	1	F19
22	22		1211164-04	S4,DIP 1P 1A 10POS	1	G1
23	23		1211164-06	S4,DIP 1P 1A 10POS	1	G2
24	24		1209941-02	HEADER 100 40POS FT 3AGLT	1	H1
25	25		1209941-03	HEADER FT 3AGLT LEFT LATCH POP	1	H2
26	26		1209941-04	HEADER FT 3AGLT RIGHT LATCH POP	1	H3
27	27		1302196-00	150 K 1/4W 5% .00	1	R53
28	28		1303030-00	133 1/4W 1% RES50-F 100PPM	1	R1

REVISION HISTORY				VARIATIONS FOR THIS ASSY.			
CHK	ECO NO.	REV.	NO.	FIRST USED ON:	DIGITAL EQUIPMENT CORPORATION MAYFORD, MASSACHUSETTS		
BR	00005	1	00	MADE BY: P. CAMMIE	DATE: 26-JUL-78	TITLE: PARTS LIST	
				CHECKED: K. PHEAULS	DATE: 26-JUL-78	A-B FOR 1103	
				DES. ENG.: GEORGE STOKS	DATE: 26-JUL-78	SIZE: C001	DOCUMENT NUMBER: 1103
				PROD. : P. WAKEFIELD	DATE: 26-JUL-78	PK: PL	1012-00-000
				RESP. ENG.: GEORGE STOKS	DATE: 26-JUL-78	ASSY. NO.: D-BA-A412-00-0	EDIT: 2

"THIS PRINTING AND SPECIFICATIONS HEREIN, ARE THE PROPERTY OF DIGITAL EQUIPMENT CORPORATION AND SHALL NOT BE REPRODUCED OR COPIED OR USED IN WHOLE OR IN PART AS THE BASIS FOR THE MANUFACTURE OR SALE OF ITEMS WITHOUT WRITTEN PERMISSION.
COPYRIGHT 1978, DIGITAL EQUIPMENT CORPORATION"

AUTOMATED BY: PPTLST 2F(2)

PARTS LIST

SHEET 2 OF 3

LINE	ITEM	DOCUMENT NO.	PART NO.	DESCRIPTION	QTY	REFERENCE DESIGNATORS
29	29		1312981-02	1 X 1/4W 1% FUSIBLE	19	R0,R25-R32,R33-R41,P54
30	30		1329133-05	200 3/4X108 POT 100PPM	1	R4
31	31		1329365-00	1 X 1/4W 5% CC	(13-00)	17 R13,R12,R11,R51,R56,R65,R84, CONT R74,R79,R82,R86,R13
32	32		1323313-02	12.1 X 1/4W 1% PASSED-F 100PPM	(13-00)	1 R5
33	33		1322999-02	30.1 1/4W 1% PASSED-F 100PPM	(13-00)	1 R6
34	34		1322955-02	750 1/4W 1% PASSED-F 100PPM	(13-00)	1 R7
35	35		1322474-02	2.7 X 1/4W 5% CC	(13-00)	2 R8,R24
36	36		1322379-02	75 1/4W 5% CC	(13-00)	2 R10,R11
37	37		1321425-02	300 1/4W 5% CC	(13-00)	1 R23
38	38		1320179-02	10 X 1/4W 5% CC	(13-00)	5 R08,R42,R20,R53,R4
39	39		1315012-02	300 X 1/4W 5% CC	(13-00)	1 R29
40	40		1329143-13	50 X 3/4X108 POT 100PPM	1	R15
41	41		1325514-02	120 X 1/4W 1% PASSED-F 25PPM	(13-00)	1 R16
42	42		1320496-02	15 X 1/4W 5% CC	(13-00)	1 R17
43	43		1320279-02	100 1/4W 5% CC	(13-00)	2 R18,R19
44	44		1322959-02	5.76 X 1/4W 1% PASSED-F 100PPM	(13-00)	1 R24
45	45		1329119-02	21.3 X 1/4W 1% PASSED-F 100PPM	(13-00)	1 R26
46	46		1320166-02	12 X 1/4W 5% CC	(13-00)	2 R17,R19
47	47		1322005-01	B METABOX 13-1K RESISTORS 5% DTP	(13-00)	2 R52,R83
48	48		1320250-02	150 1/4W 5% CC	(13-00)	1 R55
49	49		1321781-02	12 1/2W 5% CC	(13-00)	1 R57
50	50		1320315-02	470 1/2W 5% CC	(13-00)	2 R58,R59
51	51		1329422-02	5.1 1/4W 5% CC	(13-00)	2 R60,R61
52	52		1318891-12	47 1/4W 1% FUSIBLE	2	R63,R64
53	53		1320271-02	220 1/4W 5% CC	(13-00)	1 R64
54	54		1324954-02	5.11 X 1/4W 1% PASSED-F 100PPM	(13-00)	1 R67
55	55		1320295-02	330 1/4W 5% CC	(13-00)	2 R71,R73
56	56		1321424-02	600 1/4W 5% CC	(13-00)	2 R72,R74
57	57		1329516-02	31.6 X 1/4W 1% PASSED-F 100PPM	(13-00)	1 R66
58	58		1320447-02	4.7 X 1/4W 5% CC	(13-00)	1 R75
59	59		1322368-02	2 X 1/4W 5% CC	(13-00)	1 R65
60	60		1523681-02	20 5245 EFT 3600K SI 0.1% L	1	R13
61	61		1529142-02	DEC4250 PNP 2000K SI 4250 P	4	R02,R03,R08,R10
62	62		1529587-02	SE 4022 NPN 2000K SI 40120 Y	5	R04,R05,R06,R07,R12
63	63		1529575-02	20 3906 PNP 3100K SI 40120 Y	2	R09,R11
64	64		1523489-02	DEC65340 PNP 3100K SI 40 50 P	1	R14
65	65		1510414-02	D 4506 PNP 300K SI 45 20 Y	1	R15
66	66		1510171-02	D 4403 NPN 300K SI 30 20 Y	1	R16
67	67		1521581-02	DEC2219 NPN 340 SI 30120 P	2	R17,R18
68	68		1623377-02	.220H 120 0.17A 1WFE122	2	R11,R2
69	69		1929004-02	DEC 7442 NON GATE-DUAL 2IN	3	R1,R2,R5
70	70		1929490-02	DEC 8221 COUNTER,ASYNCH HP,BINARY	2	R3,R35
71	71		1912155-02	DEC 7406 AND GATE,POS,QUAD 2IN	1	R4
72	72		1925580-02	DEC 7450 8-2-1 XPNDIBLE GATE-DUAL 2X2	1	R6
73	73		1912729-02	DC 7404 PROTOCOL,REG. SELECTOR	1	R7
74	74		1929644-02	7404 INVERTER GATE-HEX 11A	4	R9,R12,R30,R45
75	75		1912136-02	DEC 74123 ONE SHOT-DUAL,RETRIGGERABLE	2	R17,R21

DIGITAL EQUIPMENT CORPORATION MAYNARD, MASSACHUSETTS		TITLE P-D FOR 1103	PARTS LIST	SIZE/COLR K DL	DOCUMENT NUMBER A012-X-DBP	REV H
---	--	-----------------------	------------	-------------------	-------------------------------	----------

MR

MR

AUTOMATED BY PRTLIST 2E(2)

PARTS LIST

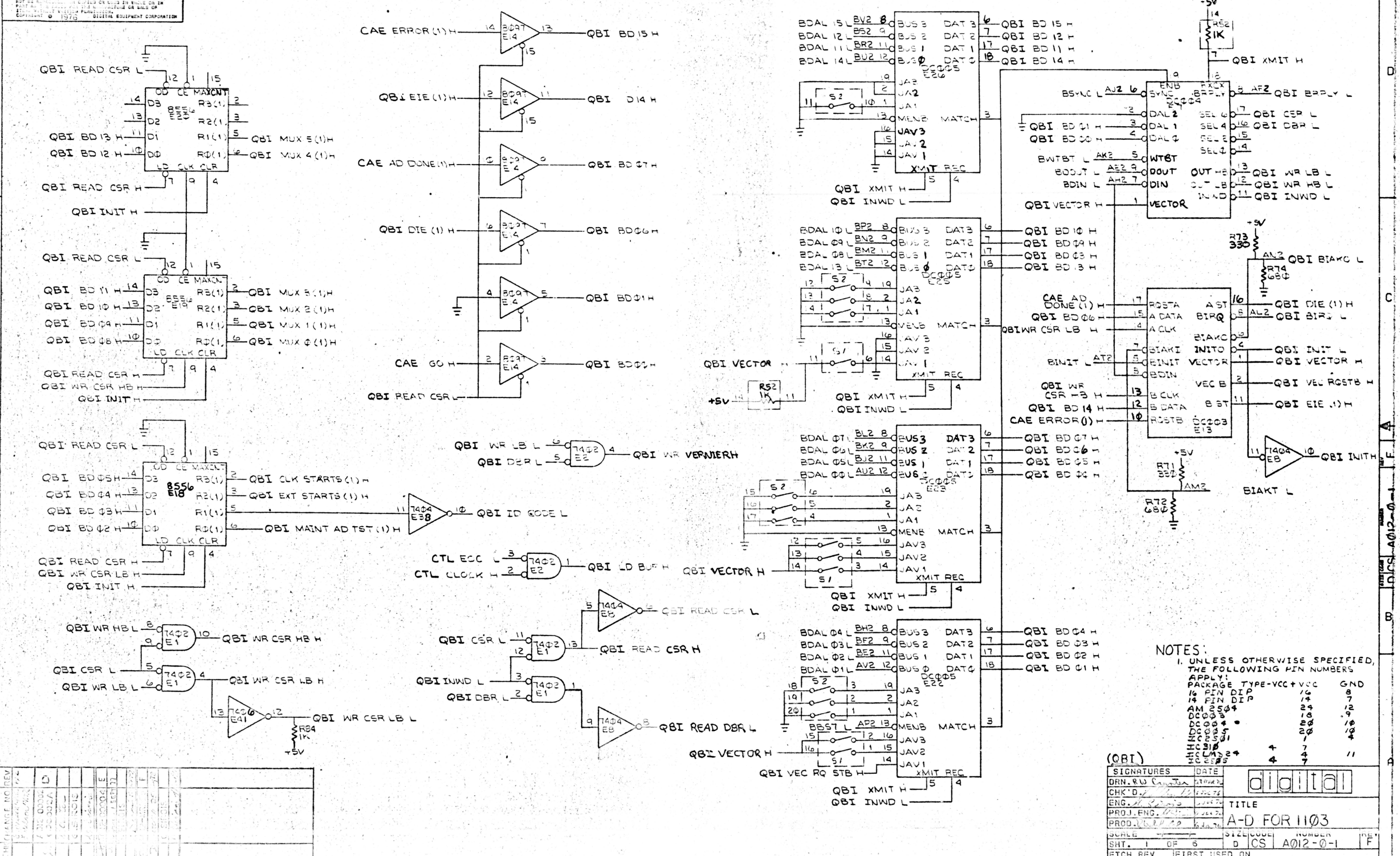
LINE	ITEM	DOCUMENT NO.	PART NO.	DESCRIPTION	QTY	REFERENCE DESIGNATORS
76	76		1925547-00	DEC 7474 FF-D DUAL, EDGE TRIGGER, 15MHZ	2	F10, F15
77	77		1925575-00	7400 NAND GATE-DUAL 2IN	1	F11
78	78		1912730-00	DC 003 INTERRUPT, 2 CIRCUIT	1	F13
79	79		1911527-00	0097 BUFFER GATE-HEX 2INPUT TRI-STA	1	F14
80	80		1925590-00	DEC 7401 NAND GATE-QUAD 2IN, OPN COLLECT	1	F15
81	81		1912951-00	DM 6556 COUNTER, BINARY, 4BIT	3	F18, E19, E20
82	82		1913740-00	DC 005 TRANSDUCER 4BIT	1	E22, E23, E25, E26
83	83		1911330-00	74173 FF-D QUAD, TRISTATE	4	E24, E27, F30, E31, E33, E34
84	84	"BLANK"				
85	85		1910652-00	74174 FF-D HEX	1	E32
86	86		1912107-00	324 OP AMP, QUAD	1	E37
87	87		1911625-00	AM 2504 SUCCESSIVE APPROX REG 24 B	1	F39
88	88		1913218-00	SD 2700/1 ANALOG SWITCH 14V PRECISION RE	1	F40
89	89		1910741-00	7406 INVERTER GATE-HEX 1IN, BUFFER, 0	1	F41
90	90		2316201-00	31-07 PROM, 1	1	E29
91	91		1911520-00	140018 DAC, 8BIT	1	F43
92	92		2111285-02	BT 200-5 DUAL ANALOG SW, CMOS	1	F44
93	93		1912401-00	AP567 SIC, 12BIT, 20VIT	1	E46
94	94		1911590-00	5410 HEX, 8CHNL, ANALOG	2	E47, E48
95	95		1910235-01	3100 OP AMP UNITY GAIN VOLT. FOLLOW	1	E49
96	96		1913218-00	325 VOLT. REG. FIX +/-15V 50MA 14	1	E50
97	97		1213113-00	HANDLE, MODULE	1	
98	98	"BLANK"				
99	99		9306735-00	EYELET, FUNNEL FLANGE, .159 OD X .187 LG	18	
100	100		9007112-00	TERM QUICK 120S ADAPTER	2	
101	101		9000021-01	EYELET, ROLLED FLANGE, .121 OD X .196 LG	2	
102	102		9006732-00	EYELET, ROLLED FLANGE, .121 OD X .219 LG	2	
103	103		1911144-00	2505 OP AMP .1% SETTLE	1	E51
104	104		1325114-00	3.45 K 1/4W 1% RES-50-F 100PPM (13-00)	1	R48
105	105		1912855-00	1S221 ONE SHOT-DUAL, SCHMITT TRIGGER	1	E9
106	106		1103041-00	DEC 777 OS=12PPM PIV= RV5	3	F11, D12, D36
107	107		1001610-01	101 NEP 100V OP 50V ZSU DTSC/000PF MIN	1	C64
108	108		1324870-00	6.81 K 1/4W 1% RES-50-F 100PPM (13-00)	2	R40, R41
109	109		1000042-00	1000.0 MFE 100V 5% 200PPM 0.155 (10-00)	1	C55
110	110		9009185-00	JUMPER, WIRE, INSULATED, ATTACK BAND	4	R1, R2, R4, R5
111	111		1300432-00	3 K 1/4W 5% CC (13-00)	2	R12, R14
112	112		1104860-00	1N 7463 VZ= 2.3 5% 5% 5%	1	D38
113	113		1925576-00	7410 NAND GATE-TRIPLE 3IN	1	E42
114	114		1303312-00	10.0 K 1/4W 1% RES-50-F 100PPM (13-00)	1	R46

115 NOTE: (1) THE FOLLOWING ARE SPARES: F21, F23, F53, R69, R87, E36

DIGITAL EQUIPMENT CORPORATION MAYFORD, MASSACHUSETTS		TITLE I-D FOR 1103	PARTS LIST	SIZE/CODE K PL	DOCUMENT NUMBER 1012-0-000	REV H
---	--	-----------------------	------------	-------------------	-------------------------------	----------

MR

THIS DRAWING AND ALL INFORMATION HEREIN, AND THE
 RIGHTS OF INVENTION AND PATENT RIGHTS ARE RESERVED
 BY DIGITAL EQUIPMENT CORPORATION. NO PART OF THIS
 DRAWING IS TO BE REPRODUCED OR TRANSMITTED IN ANY
 FORM OR BY ANY MEANS, ELECTRONIC OR MECHANICAL,
 INCLUDING PHOTOCOPYING, RECORDING, OR BY ANY
 INFORMATION STORAGE AND RETRIEVAL SYSTEM.
 COPYRIGHT © 1976 DIGITAL EQUIPMENT CORPORATION



NOTES:
 1. UNLESS OTHERWISE SPECIFIED,
 THE FOLLOWING PIN NUMBERS
 APPLY:
 PACKAGE TYPE-VCC+VCC GND
 16 PIN DIP 16 8
 14 PIN DIP 14 7
 AM 2504 24 12
 DC003 13 9
 DC005 20 10
 DC008 20 10
 HCC001 4 7
 HCC002 4 7
 HCC003 4 7
 HCC004 4 7
 HCC005 4 7

(QBI)

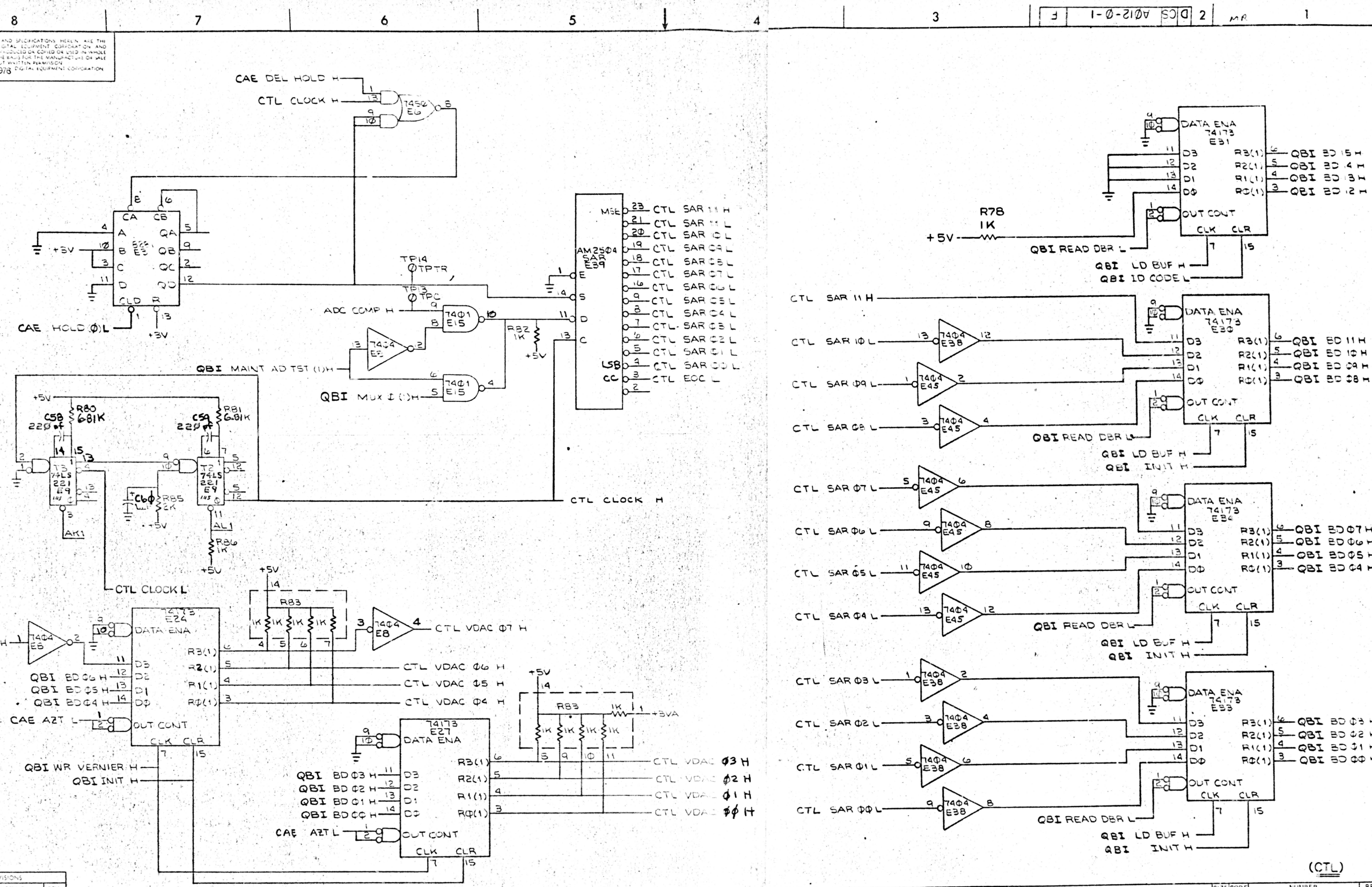
SIGNATURES	DATE
DRN. R. J.
CHK'D.
ENG.
PROJ. ENG.
PROD.
SHEET 1 OF 6	...
ETCH REV	FIRST USED ON

TITLE: A-D FOR 1103

STANDARD NUMBER: DCS A012-0-1

CHANGE NO	REV	DATE	BY	REASON
1	1
2	1
3	1
4	1
5	1
6	1
7	1
8	1

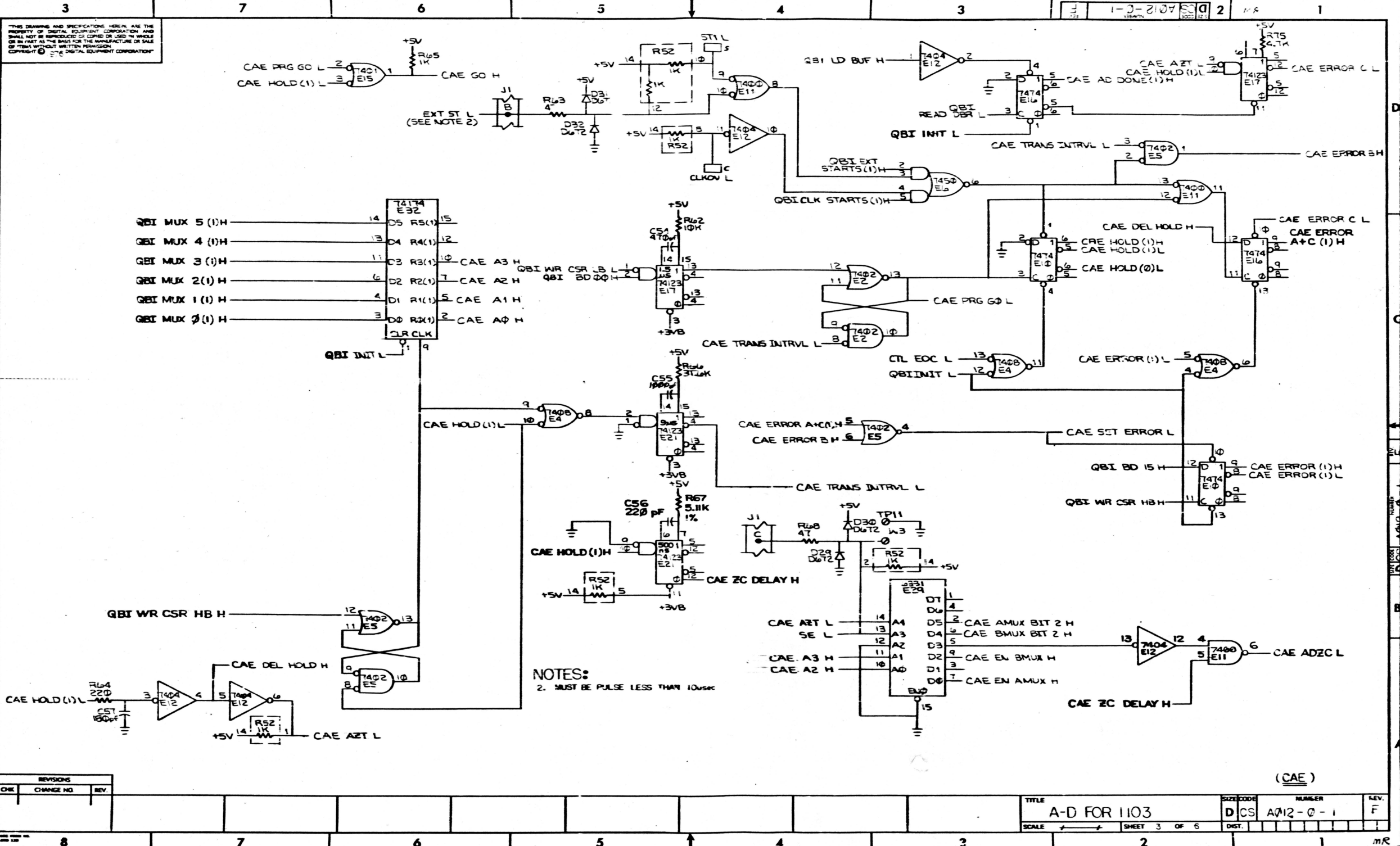
THIS DRAWING AND SPECIFICATIONS HEREIN ARE THE PROPERTY OF DIGITAL EQUIPMENT CORPORATION AND SHALL NOT BE REPRODUCED OR COPIED OR USED IN WHOLE OR IN PART AS THE BASIS FOR THE MANUFACTURE OR SALE OF ITEMS WITHOUT WRITTEN PERMISSION. COPYRIGHT © 1978 DIGITAL EQUIPMENT CORPORATION



REVISIONS		
CHK	CHANGE NO	REV

TITLE	SIZE CODE	NUMBER	REV.
A-D FOR 1103	D CS	A012-0-1	F
SCALE	SHEET 2 OF 6	DIST	

D
C
B
A
F
E
D
C
B
A



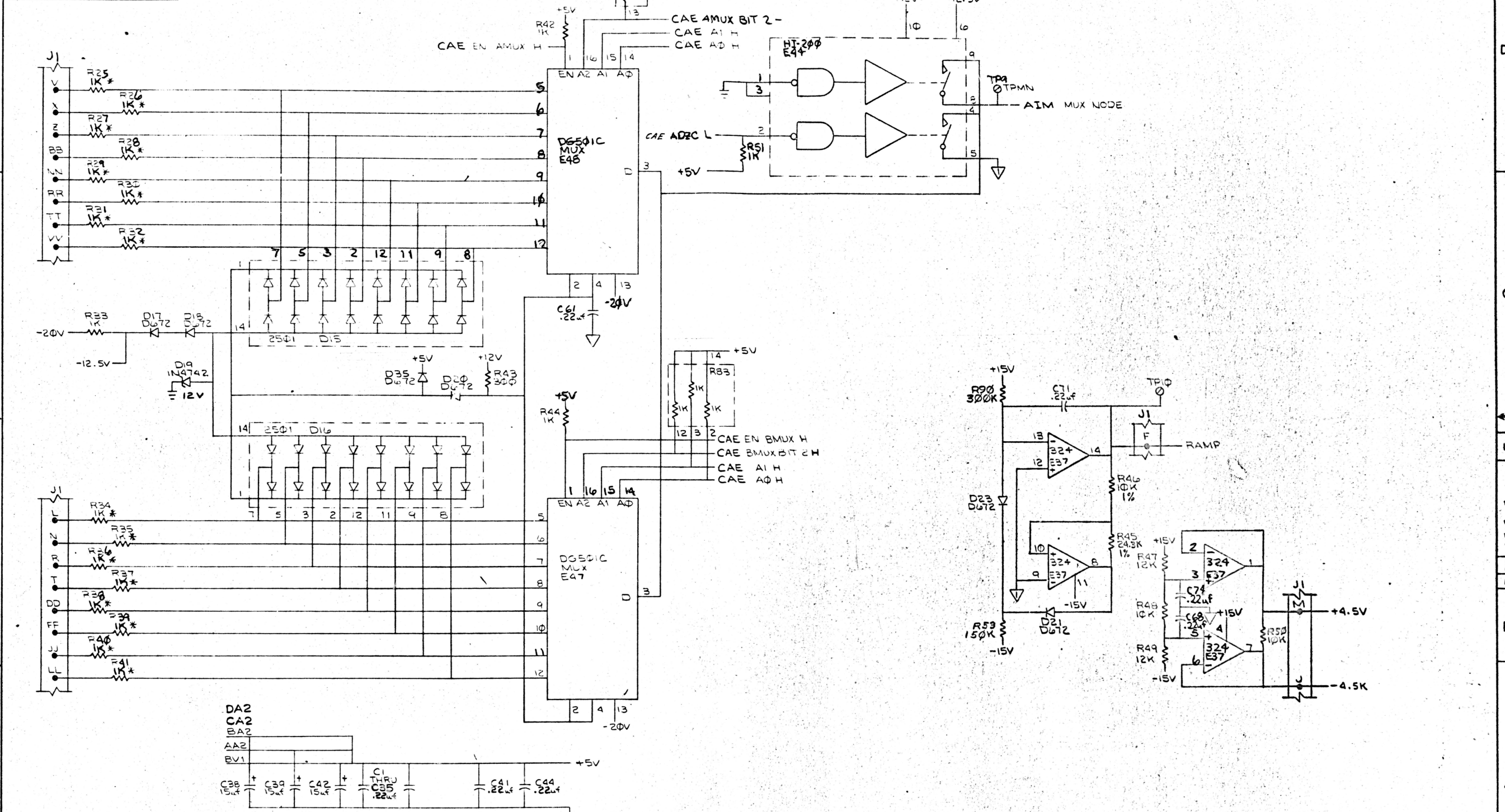
THIS DRAWING AND SPECIFICATIONS HEREIN ARE THE PROPERTY OF DIGITAL EQUIPMENT CORPORATION AND SHALL NOT BE REPRODUCED OR COPIED OR USED IN WHOLE OR IN PART AS THE BASIS FOR THE MANUFACTURE OR SALE OF ITEMS WITHOUT WRITTEN PERMISSION. COPYRIGHT © 1970 DIGITAL EQUIPMENT CORPORATION

REVISIONS		
CHK	CHANGE NO	REV.

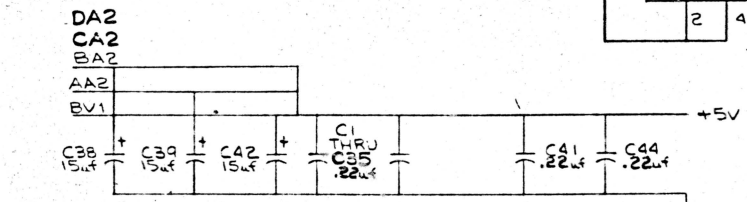
TITLE		SIZE CODE	NUMBER	REV.
A-D FOR 1103		D CS	A712-0-1	F
SCALE		SHEET 3 OF 6	DIST.	mR

(CAE)

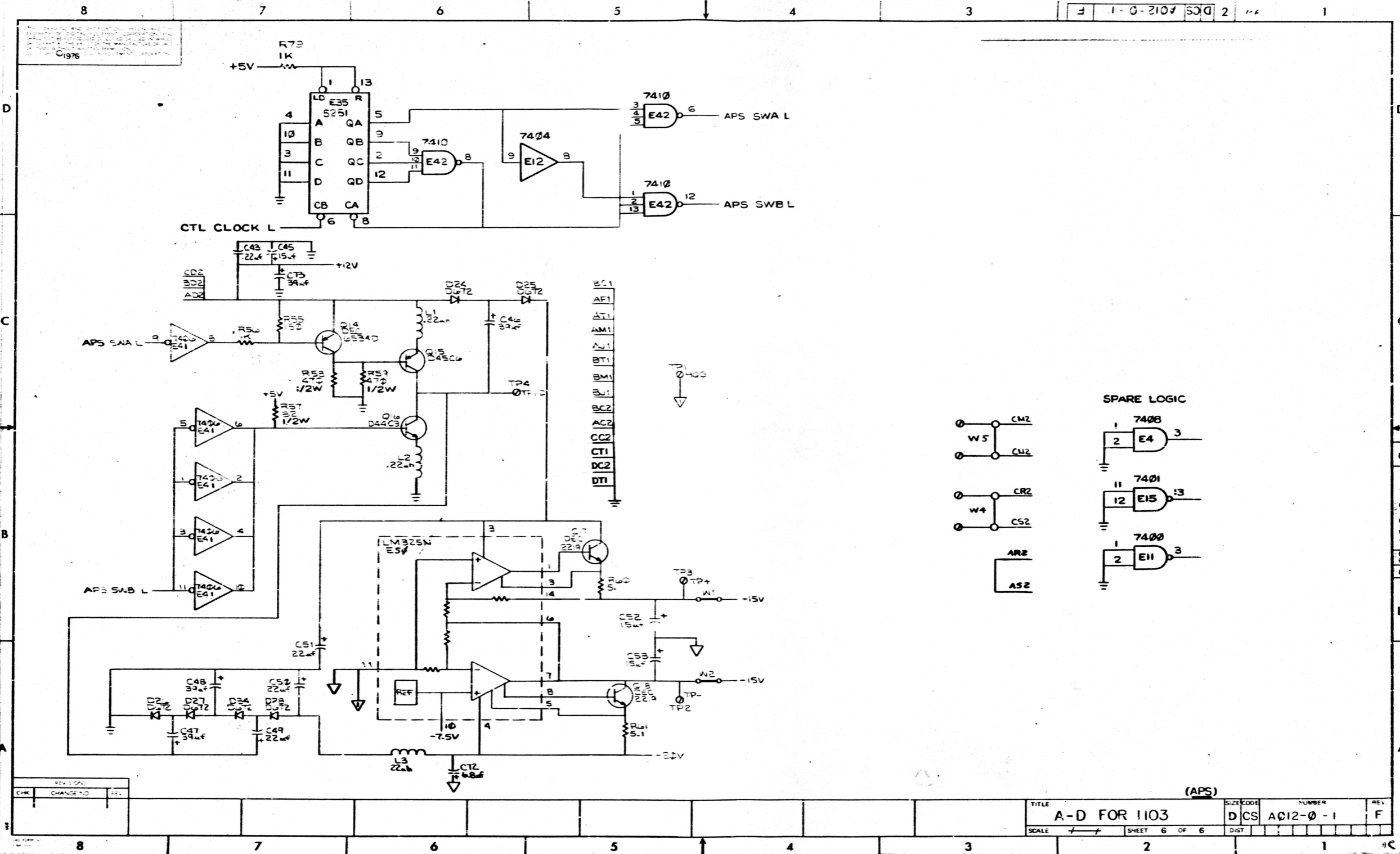
THIS DRAWING AND SPECIFICATION HEREIN ARE THE PROPERTY OF DIGITAL EQUIPMENT CORPORATION, AND SHALL NOT BE REPRODUCED OR TRANSMITTED IN ANY FORM OR BY ANY MEANS, ELECTRONIC OR MECHANICAL, INCLUDING PHOTOCOPYING, RECORDING, OR BY ANY INFORMATION STORAGE AND RETRIEVAL SYSTEM, WITHOUT THE WRITTEN PERMISSION OF DIGITAL EQUIPMENT CORPORATION.



REVISIONS		
CHK	CHANGE NO	REV



TITLE		SIZE CODE	NUMBER	REV.
A-D FOR 1103		D CS	A012-0-1	F
SCALE	SHEET 4 OF 6	D ST	1	MR



REV	NO	DATE	BY	CHK	CHANGE NO

TITLE		(APS)		SIZE	CODE	NUMBER	REV
A-D FOR 1103		D CS		AC12-0-1	F		
SCALE	+	SHEET	6 OF 6	DIST			

